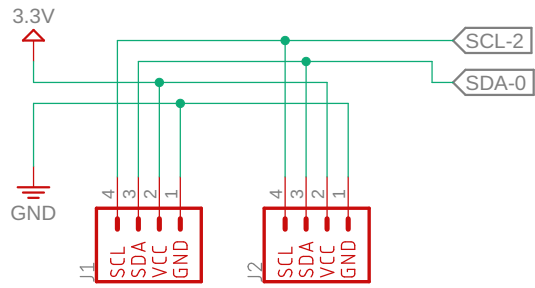
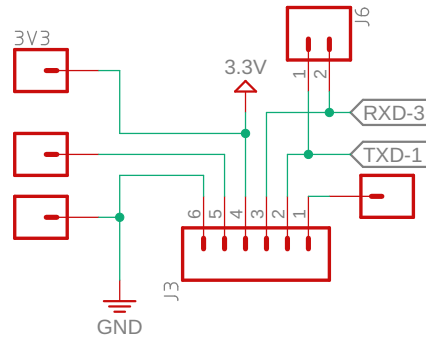


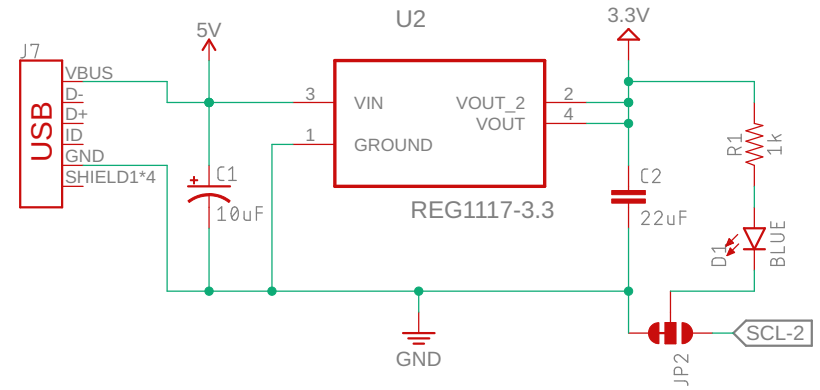
### I2C / Qwiic Bus



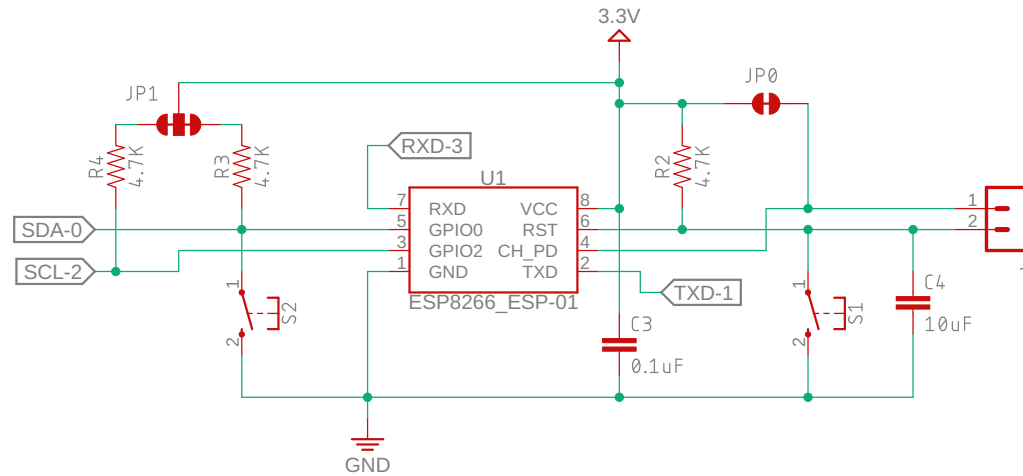
### Programing Header



### Power Supply



### ESP-01(S) Development Board



esp-01-qwiic-devbrd-v1.2

16/12/20 7:06 PM

Sheet: 1/1