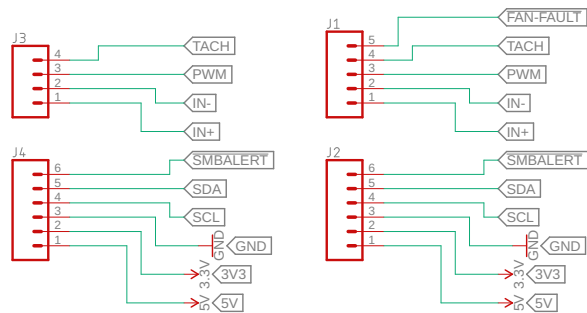
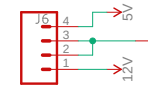


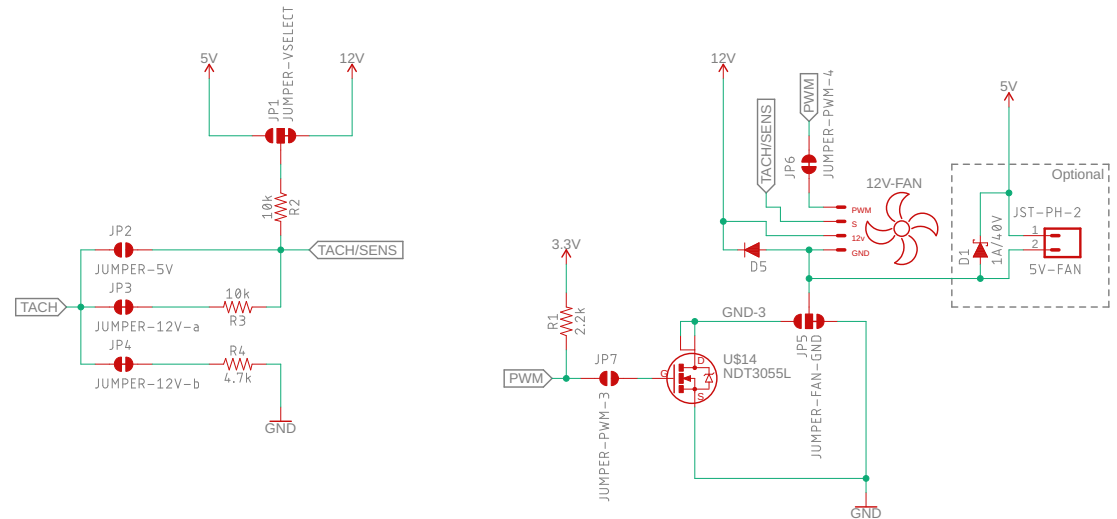
Breakout Headers



Power Input Header

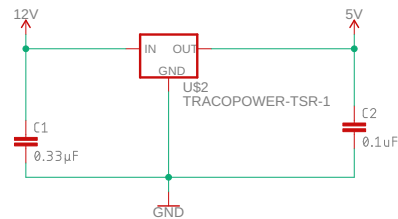


Fan(s)



Optional 12V to 5V (If 5V not present)

- Install 5V Voltage Regulator (for max Amps)
- * Pololu D24V3F5 -> 300mA (no fan recm.)
- * Pololu D25V6F4 -> 500mA
- * TracoPower TSR-1-2450 -> 1A
- * LM7805 -> 1.5A



fan-host-board-v1.0
not saved!
Sheet: 1/1

